

RELAX POWER



RELAX
RADIATORS

RELAX POWER
height 1963 mm, length 653 mm. Agave finish (cod. 9N).



Technical features:

- radiating panel
- thread pitch of 50 mm, M24 x 19
- maximum working pressure 10 bar
- maximum working temperature 95°C
- This radiator is already fitted for the insertion of the optional thermostat head

Price included:

- water connection system complete with fittings for connection to copper pipes (12, 14 and 15 mm diameter) and multilayer pipes (14 x 2 thick and 16 x 2 thick)
- wall fixing system
- air vent
- installation template

Finishes available

Surcharge

Standard White
Classic finishes
Special finishes
Other RAL colors

Finishing codes see page 596.

Hidden hydraulic connection INCLUDED IN THE PRICE

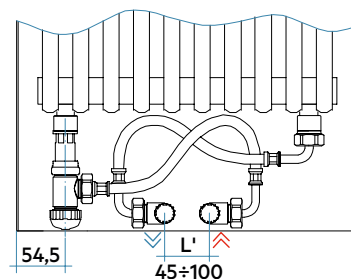
RELAX POWER features the innovative hidden hydraulic connection system. This type of connection hides all valves from view to the advantage of the heating element's formal aspect. Another winning feature of this type of hydraulic connection is its easy installation.

A valve and lockshield valve system connected to flexible hoses permits elevated installation flexibility and the varying of the connection centers from a minimum 45 to a maximum 100 mm as desired.

We recommend installation with water inlet from the right and water outlet from the left.

The hidden hydraulic connection with universal connection M30 x 1,5 is designed for the installation of a thermostatic valve (optional) or for the innovative "NOW" temperature adjustment system.

We advise installing the radiator at least 150 ÷ 200 mm above the floor.



Model	Code	Depth mm	Height H mm	Lenght L mm	Conn. C. L' mm	Weight Kg	Cap. lt	Thermal Power				Exp. n.	
								$\Delta t=50^{\circ}\text{C}$ Watt	$\Delta t=40^{\circ}\text{C}$ Watt	$\Delta t=30^{\circ}\text{C}$ Watt (*)	$\Delta t=20^{\circ}\text{C}$ Watt		
Relax Power 688 x 653	REPI065B XX IR 01 AN	475	688	653	45 / 100	12,1	2,6	1481	434	331	234	143	1,212
Relax Power 688 x 857	REPI085B XX IR 01 AN	475	688	857	45 / 100	15,7	3,4	1945	570	435	307	188	1,212
Relax Power 688 x 1061	REPI106B XX IR 01 AN	475	688	1061	45 / 100	19,3	4,3	2405	705	538	380	232	1,212
Relax Power 688 x 1197	REPI119B XX IR 01 AN	475	688	1197	45 / 100	21,7	4,8	2716	796	607	429	262	1,212
Relax Power 688 x 1401	REPI140B XX IR 01 AN	475	688	1401	45 / 100	25,3	5,7	3177	931	710	501	307	1,212
Relax Power 868 x 653	REPH065B XX IR 01 AN	475	868	653	45 / 100	15,2	3,2	1863	546	414	290	175	1,239
Relax Power 868 x 857	REPH085B XX IR 01 AN	475	868	857	45 / 100	19,7	4,3	2446	717	544	381	230	1,239
Relax Power 868 x 1061	REPH106B XX IR 01 AN	475	868	1061	45 / 100	24,3	5,3	3026	887	673	471	285	1,239
Relax Power 868 x 1197	REPH119B XX IR 01 AN	475	868	1197	45 / 100	27,3	6,0	3415	1.001	759	532	322	1,239
Relax Power 868 x 1401	REPH140B XX IR 01 AN	475	868	1401	45 / 100	31,9	7,1	3995	1.171	888	622	376	1,239
Relax Power 1663 x 381	REPE038B XX IR 01 AN	475	1663	381	45 / 100	17,0	3,4	2074	608	458	318	190	1,270
Relax Power 1663 x 517	REPE051B XX IR 01 AN	475	1663	517	45 / 100	22,9	4,7	2815	825	621	431	258	1,270
Relax Power 1663 x 653	REPE065B XX IR 01 AN	475	1663	653	45 / 100	28,8	6,1	3555	1.042	785	545	325	1,270
Relax Power 1963 x 381	REPD038B XX IR 01 AN	475	1963	381	45 / 100	20,0	4,0	2371	695	522	361	215	1,282
Relax Power 1963 x 517	REPD051B XX IR 01 AN	475	1963	517	45 / 100	26,9	5,5	3218	943	708	490	291	1,282
Relax Power 1963 x 653	REPD065B XX IR 01 AN	475	1963	653	45 / 100	33,9	7,1	4064	1.191	895	619	368	1,282
Relax Power 2163 x 381	REPC038B XX IR 01 AN	475	2163	381	45 / 100	21,9	4,4	2515	737	555	385	230	1,273
Relax Power 2163 x 517	REPC051B XX IR 01 AN	475	2163	517	45 / 100	29,6	6,1	3415	1.001	753	522	312	1,273
Relax Power 2163 x 653	REPC065B XX IR 01 AN	475	2163	653	45 / 100	37,3	7,8	4313	1.264	951	660	394	1,273

(*) Thanks to the high performance of Irsap RELAX POWER radiators, the ideal Δt for low temperature projects is Δt at 30°C.

For Δt different from 50°C use the formula: $Q = Q_n (\Delta t / 50)^n$

Accessories towel-holder

The towel-holder is a design accessory that can be positioned at the desired height even after the radiator has already been installed. This means Relax can also be used as a towel warmer.

Available in 2 versions, Small (Fig. 1) and Large (Fig. 2) both with a polished chrome-plated finish.

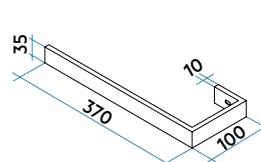


Fig. 1

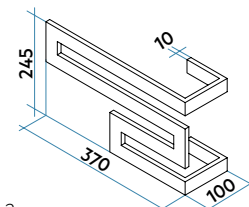
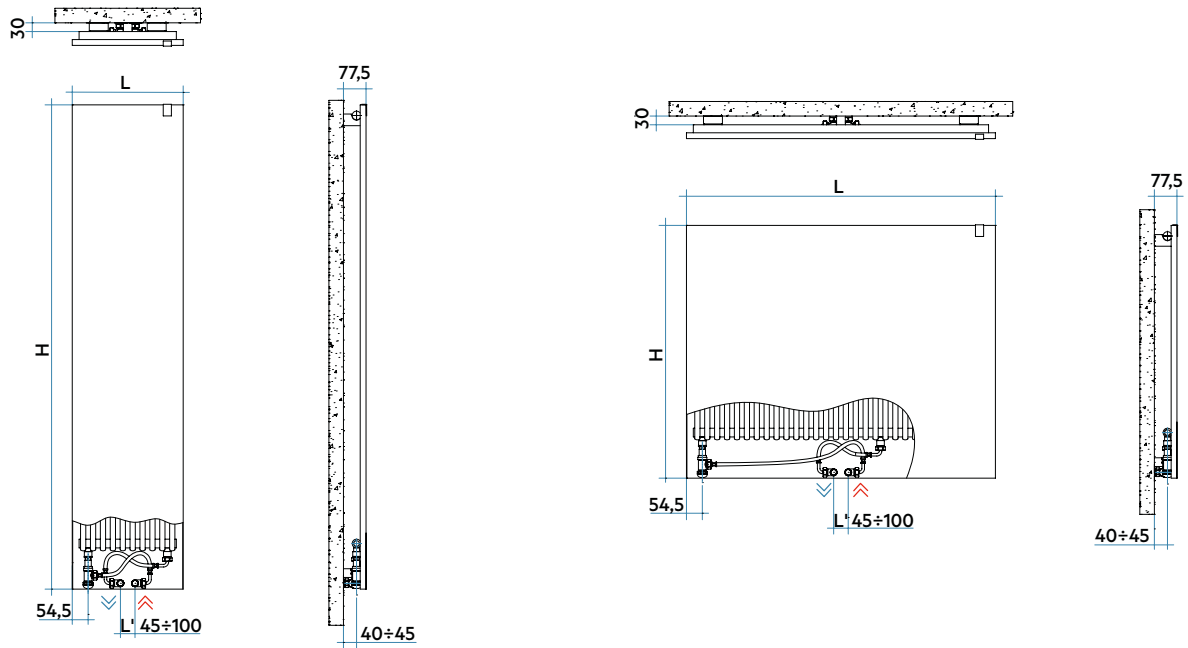


Fig. 2

RELAX POWER



RELAX
RADIATORS

CE 15 - C - s2, d0
EN442-1

EN 442
EURO NORM

Model	Code	Price List (Euro) Finishes RELAX POWER		
		Wall Finished Cod. 6B	Satin Stainless steel Cod. AS	Mirror Stainless steel Cod. IS
Relax Power 688 x 653	REPI065B XX IR 01 AN			
Relax Power 688 x 857	REPI085B XX IR 01 AN			
Relax Power 688 x 1061	REPI106B XX IR 01 AN			
Relax Power 688 x 1197	REPI119B XX IR 01 AN			
Relax Power 688 x 1401	REPI140B XX IR 01 AN			
Relax Power 868 x 653	REPH065B XX IR 01 AN			
Relax Power 868 x 857	REPH085B XX IR 01 AN			
Relax Power 868 x 1061	REPH106B XX IR 01 AN			
Relax Power 868 x 1197	REPH119B XX IR 01 AN			
Relax Power 868 x 1401	REPH140B XX IR 01 AN			
Relax Power 1663 x 381	REPE038B XX IR 01 AN			
Relax Power 1663 x 517	REPE051B XX IR 01 AN			
Relax Power 1663 x 653	REPE065B XX IR 01 AN			
Relax Power 1963 x 381	REPD038B XX IR 01 AN			
Relax Power 1963 x 517	REPD051B XX IR 01 AN			
Relax Power 1963 x 653	REPD065B XX IR 01 AN			
Relax Power 2163 x 381	REPC038B XX IR 01 AN			
Relax Power 2163 x 517	REPC051B XX IR 01 AN			
Relax Power 2163 x 653	REPC065B XX IR 01 AN			

The thermal power of Mirror finish (cod. IS) and Satin stainless steel finish (cod. AS) is reduced by about 30%.

XX = finish code:

01 = Standard White colour code

6B = Wall Finished code

AS = Satin Stainless Steel code

IS = Mirror finish code

Key Codes

Height	Colour code	Standard hydraulic connection code
REP	I	065 B
Width	Packing code	
	XX	IR 01 AN

